

NATAL ALU SOFA

STUDIO SEGERS



DESCRIPTION

A subtle frame with attractive, curved armrests contrasts beautifully with the volume of the outdoor cushions, supported by a weave in broad textilene straps. Timeless and elegant, the Natal Alu Sofa is an outdoor sofa that will fit many terraces. With thirteen different modules, two different frame colours and more than 90 available outdoor fabrics, the possibilities are endless. The frame in solid aluminium is powdercoated with an ultra durable polyester powdercoating for extra scratch and UV resistance. Special attention is paid to the outdoor cushions which can be left outside during the whole outdoor season thanks to the ventilating filling in a waterproof cover.

MATERIALS

- Frame: aluminium, powdercoated with an ultra durable polyester powdercoating
- Hardware: the different modules can be connected neatly by CNC cut solid powdercoated aluminium parts, making the assembled sofa look as one piece
- Seat surface: textilene straps, UV-, mildew- and rot resistant. Each strap is individually connected, allowing easy replacement

CUSHIONS

The filling has a cover in a laminated, water-repellent polypropylene material which prevents water from penetrating. The thread used to stitch the seams swells when getting wet, preventing water from penetrating through the seams. Moreover, the seams are protected on the inside with an extra covering. If nevertheless water should penetrate, the material is breathable, letting moisture out to prevent moulding. Fabrics available in category D, E & F.

COLOURS

00-White

89-Wengé



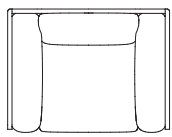
NATAL ALU SOFA

TECHNICAL DRAWINGS

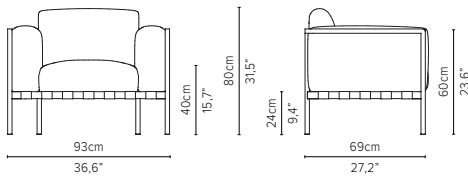
REGULAR SEAT

TOTAL DEPTH 81 CM / 31,9"

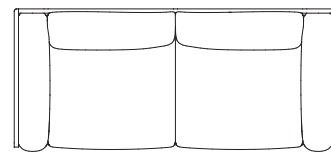
05802-x - Armchair



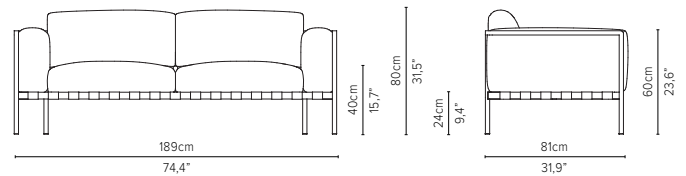
delivery unit: 1
100 x 79 x H11 cm - 0,1 m³
16 kg
cushions: C05802W
0,25 m³ - 7,8 kg



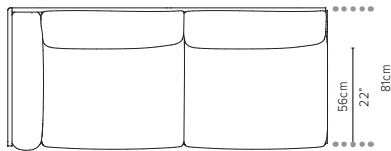
05808S-x - Sofa 2-seater



delivery unit: 1
200 x 87 x H11 cm - 0,2 m³
26 kg
cushions: C05808SHW
0,51 m³ - 14,5 kg

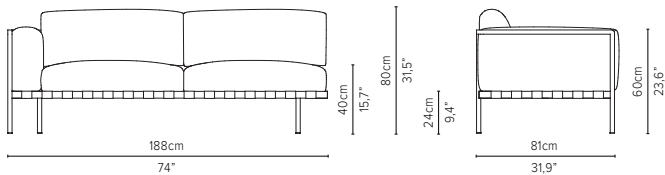


05838RS-x - Right arm extension 189 cm*

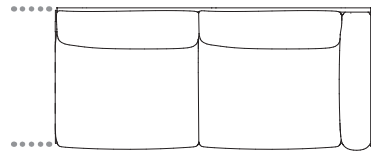


delivery unit: 1
200 x 87 x H11 cm - 0,2 m³
26 kg
cushions: C05838RSHW
0,51 m³ - 14,5 kg

* cannot stand alone and should be attached to another module

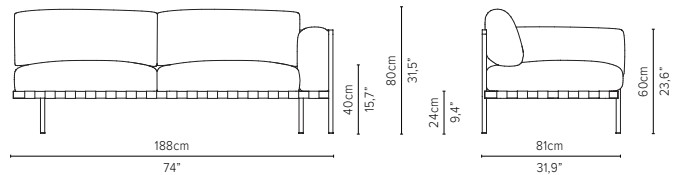


05838LS-x - Left arm extension 189 cm*

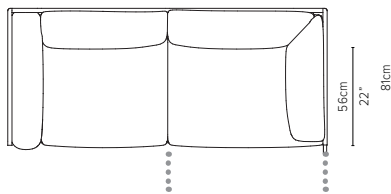


delivery unit: 1
200 x 87 x H11 cm - 0,2 m³
26 kg
cushions: C05838LSHW
0,51 m³ - 14,5 kg

* cannot stand alone and should be attached to another module

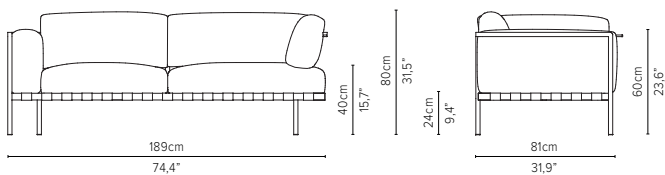


05848RS-x - Right arm corner module 189 cm*

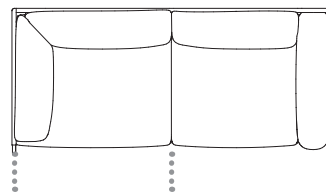


delivery unit: 1
200 x 87 x H11 cm - 0,2 m³
26 kg
cushions: C05848RSHW
0,51 m³ - 14,5 kg

* cannot stand alone and should be attached to another module

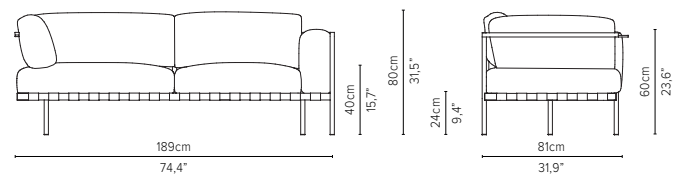


05848LS-x - Left arm module 189 cm*



delivery unit: 1
200 x 87 x H11 cm - 0,2 m³
26 kg
cushions: C05848LSHW
0,51 m³ - 14,5 kg

* cannot stand alone and should be attached to another module



* Appearances, measurements and weights may slightly differ from reality.
The cushions on the drawings are not included in the article.

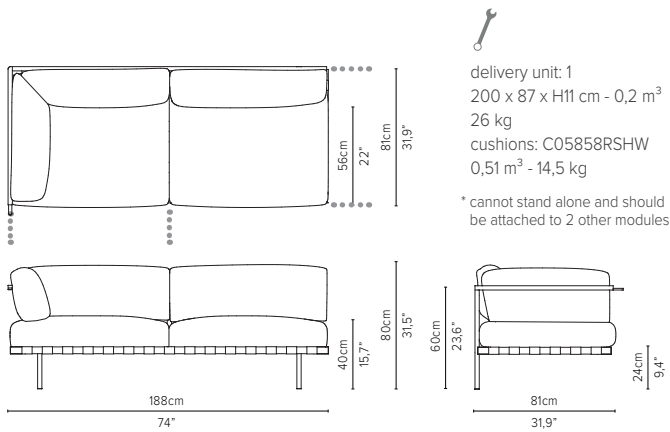
NATAL ALU SOFA

TECHNICAL DRAWINGS

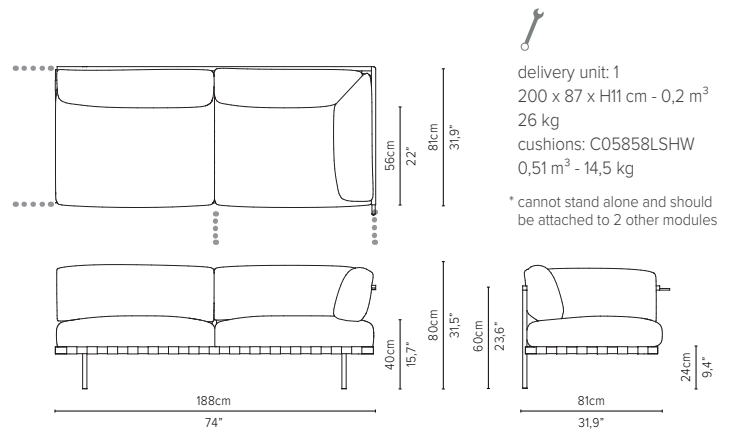
REGULAR SEAT

TOTAL DEPTH 81 CM / 31,9"

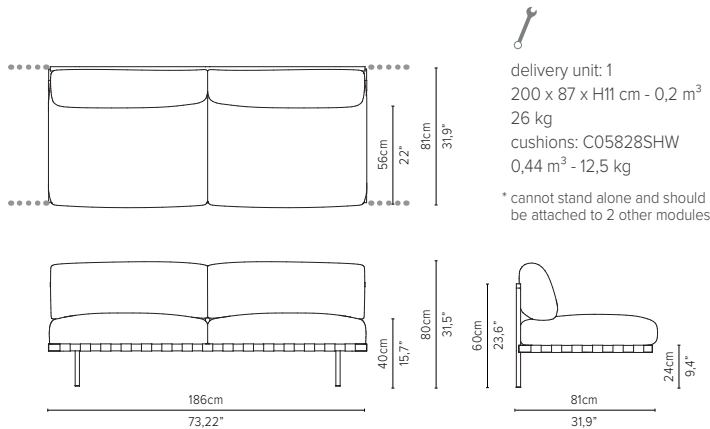
05858RS-x - Right corner extension 189 cm*



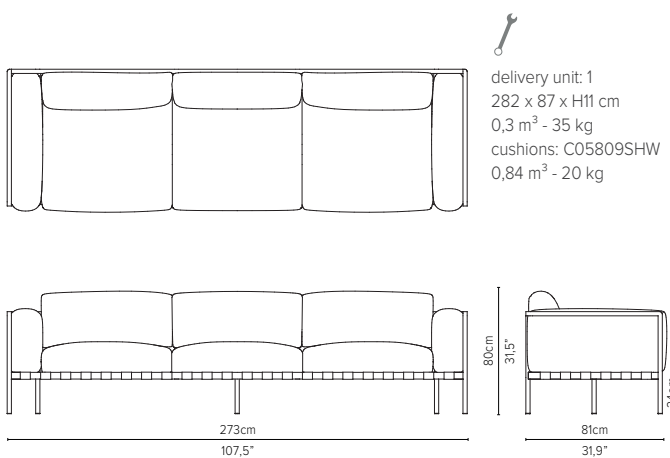
05858LS-x - Left corner extension 189 cm*



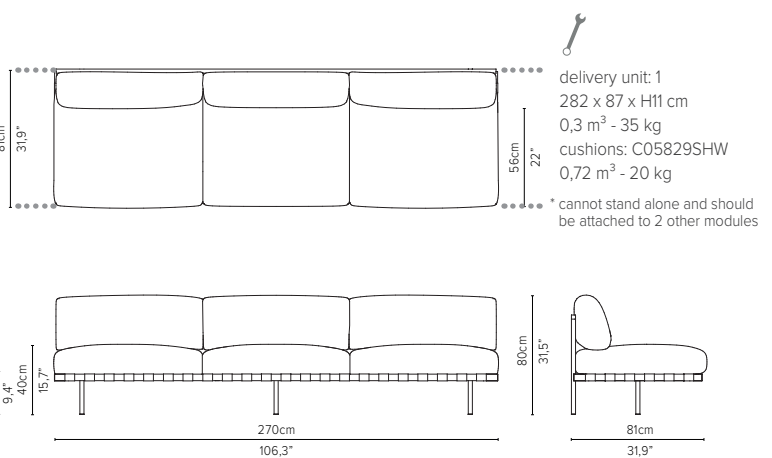
05828S-x - Center module 189 cm*



05809S-x - Sofa 3-seater 273 cm



05829S-x - Center module 273 cm*



* Appearances, measurements and weights may slightly differ from reality.
The cushions on the drawings are not included in the article.

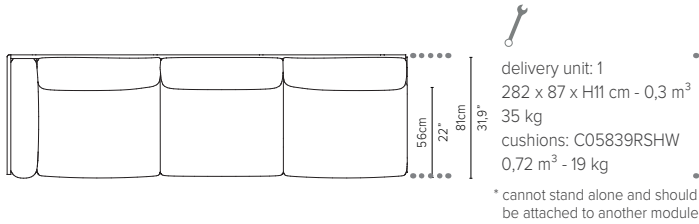
NATAL ALU SOFA

TECHNICAL DRAWINGS

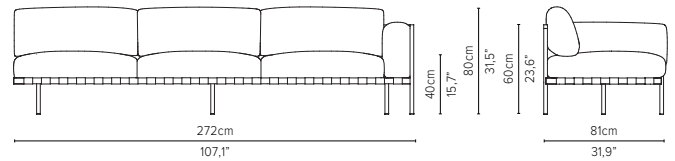
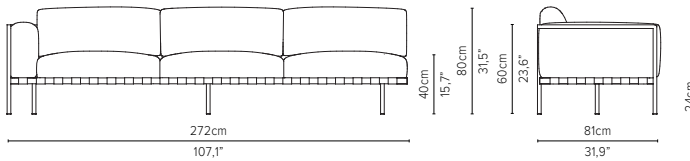
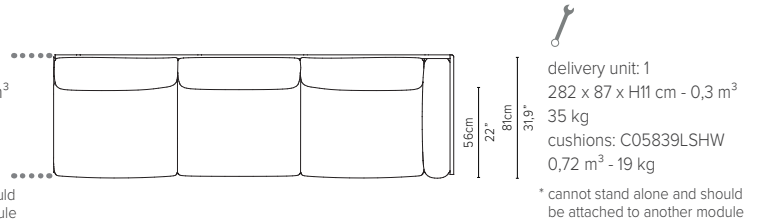
REGULAR SEAT

TOTAL DEPTH 81 CM / 31,9"

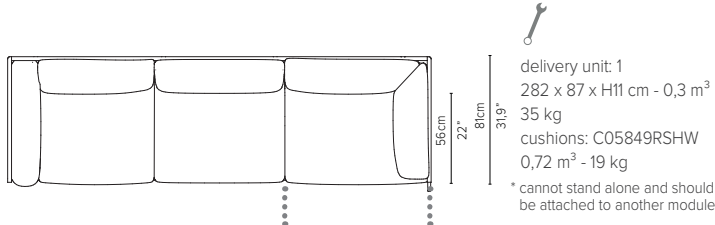
05839RS-x - Right arm extension 273 cm*



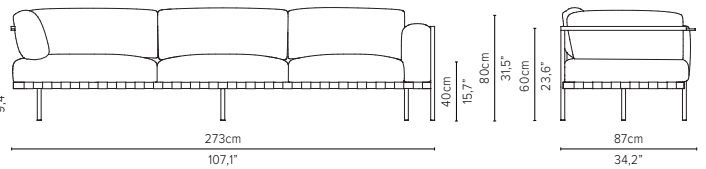
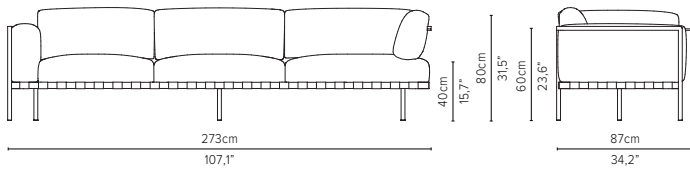
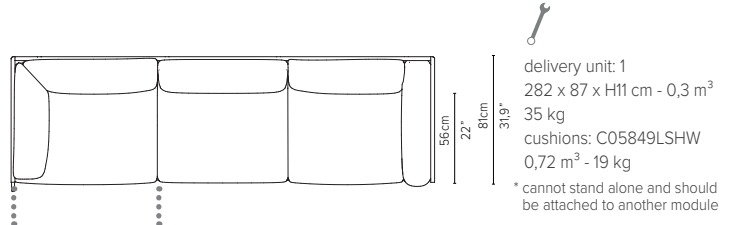
05839LS-x - Left arm extension 273 cm*



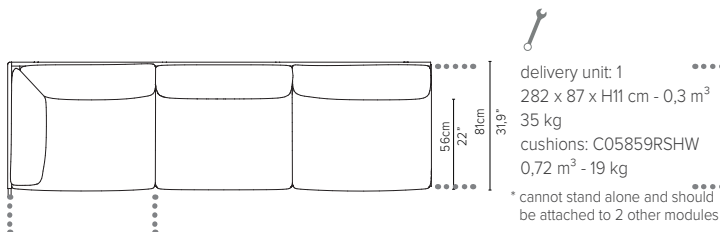
05849RS-x - Right arm corner module 273 cm*



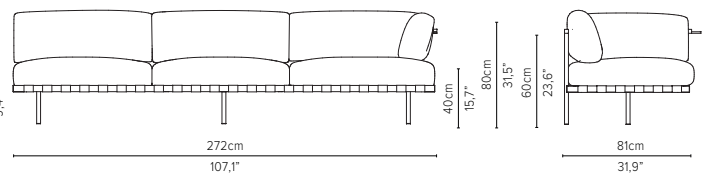
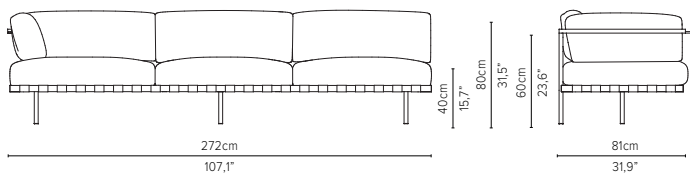
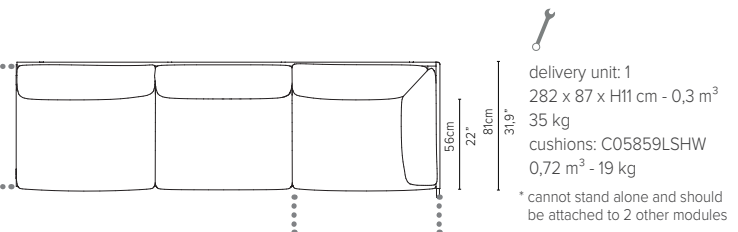
05849LS-x - Left arm corner module 273 cm*



05859RS-x - Right corner extension 273 cm*



05859LS-x - Left corner extension 273 cm*



* Appearances, measurements and weights may slightly differ from reality.
The cushions on the drawings are not included in the article.

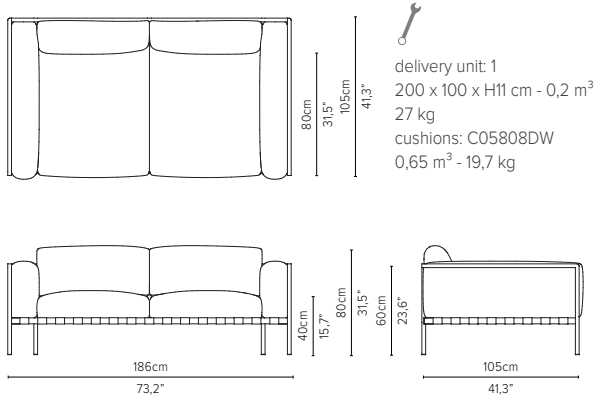
NATAL ALU SOFA

TECHNICAL DRAWINGS

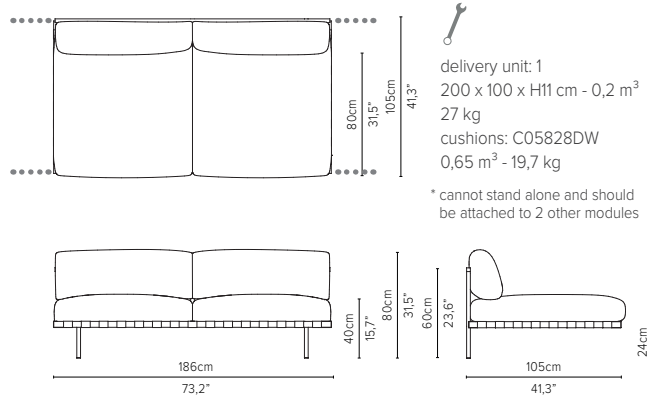
DEEP SEAT

TOTAL DEPTH 105 CM / 41,3"

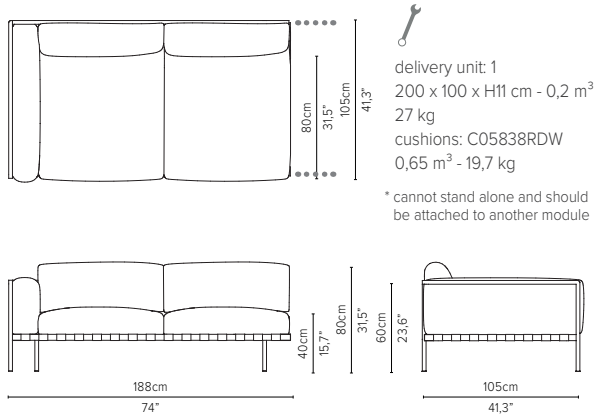
05808D-x - Sofa 2-seater 189 cm



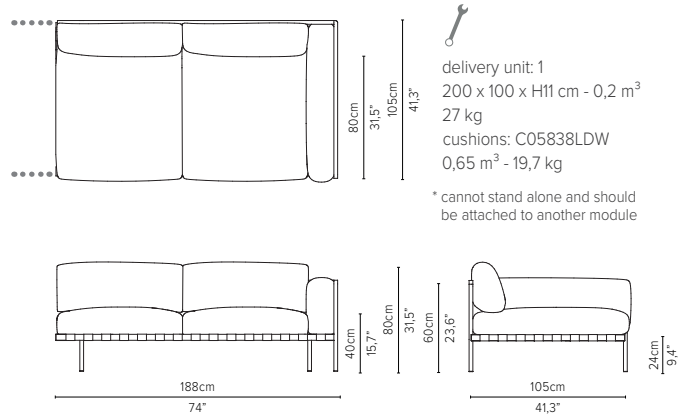
05828D-x - Centre module 189 cm*



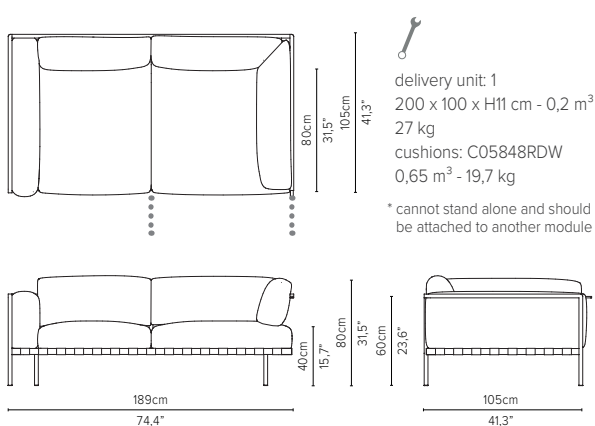
05838RD-x - Right arm extension 189 cm*



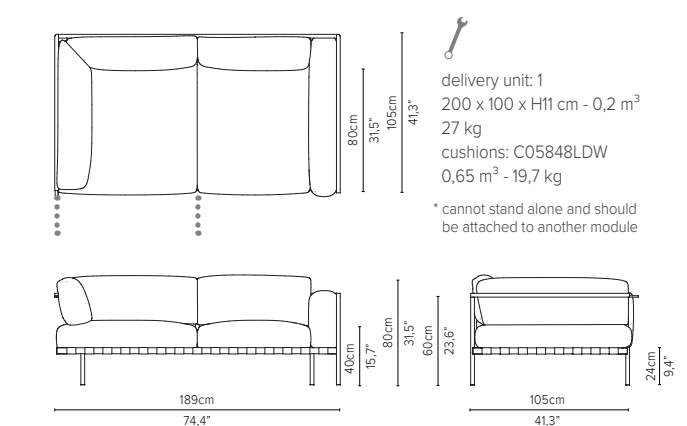
05838LD-x - Left arm extension 189 cm*



05848RD-x - Right arm corner module 189 cm*



05848LD-x - Left arm corner module 189 cm*



* Appearances, measurements and weights may slightly differ from reality.
The cushions on the drawings are not included in the article.

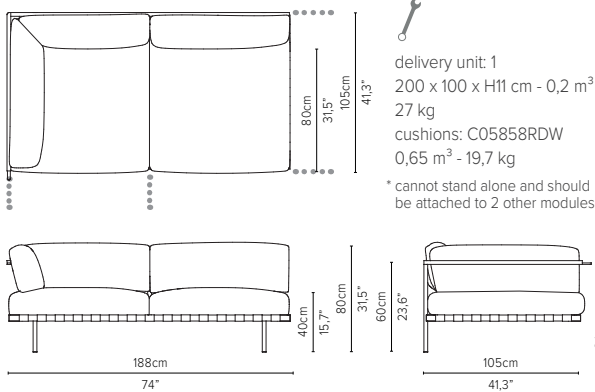
NATAL ALU SOFA

TECHNICAL DRAWINGS

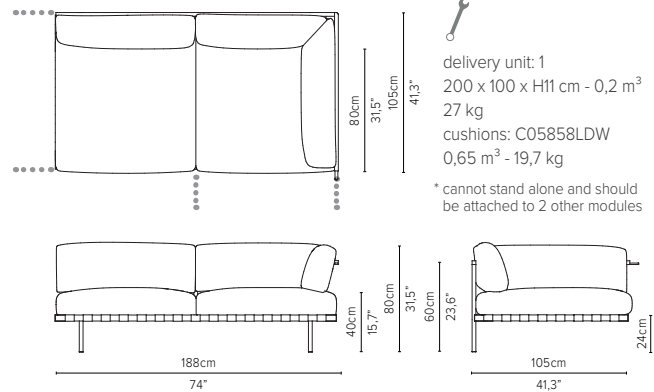
DEEP SEAT

TOTAL DEPTH 105 CM / 41,3"

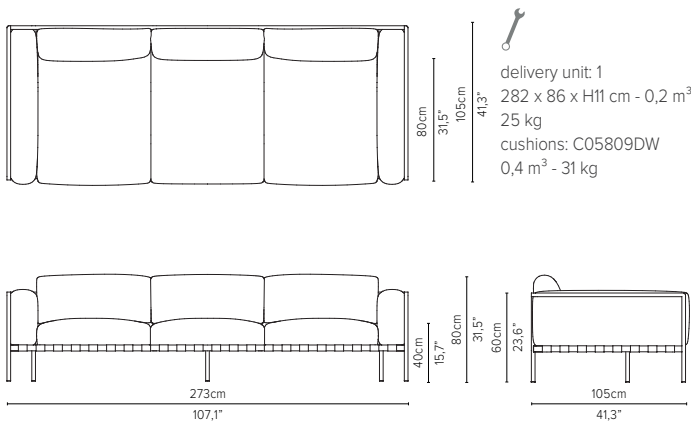
05858RD-x - Right corner extension 189 cm*



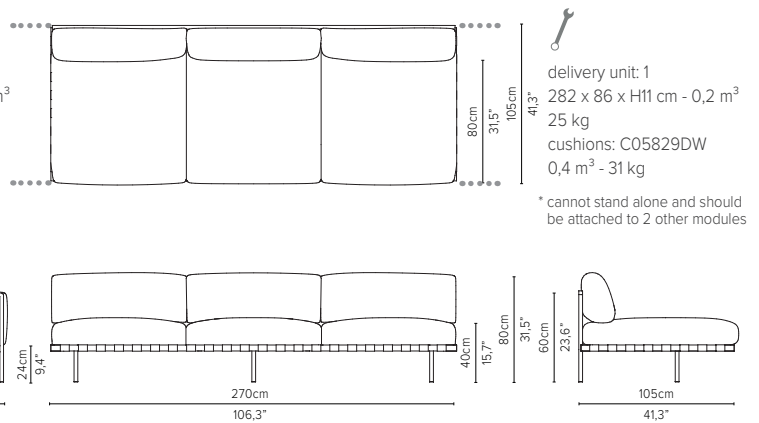
05858LD-x - Left corner extension 189 cm*



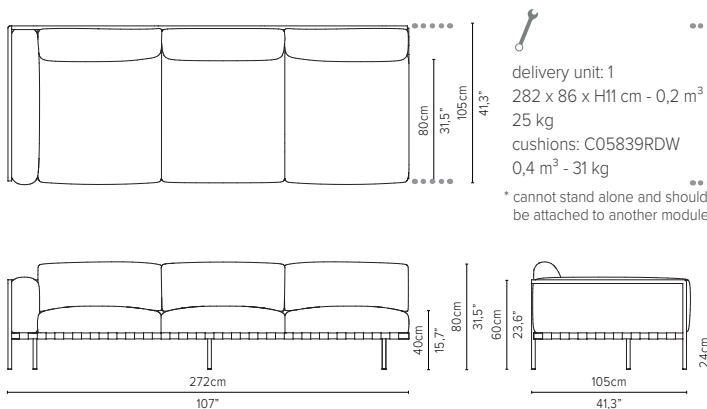
05809D-x - Sofa 3-seater 273 cm



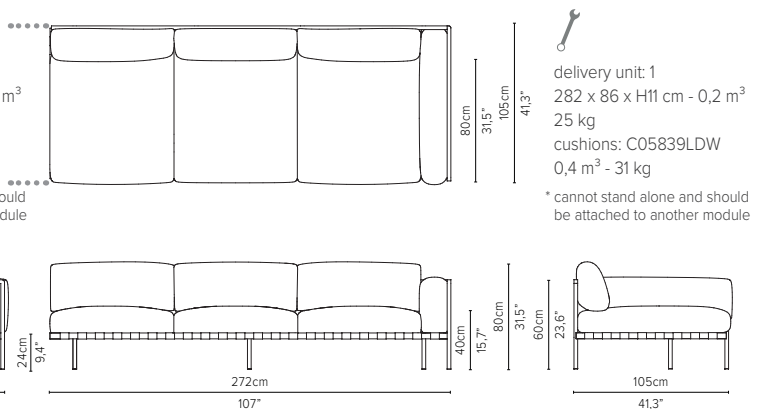
05829D-x - Centre module 273 cm*



05839RD-x - Right arm extension 273 cm*



05839LD-x - Left arm extension 273 cm*



* Appearances, measurements and weights may slightly differ from reality.
The cushions on the drawings are not included in the article.

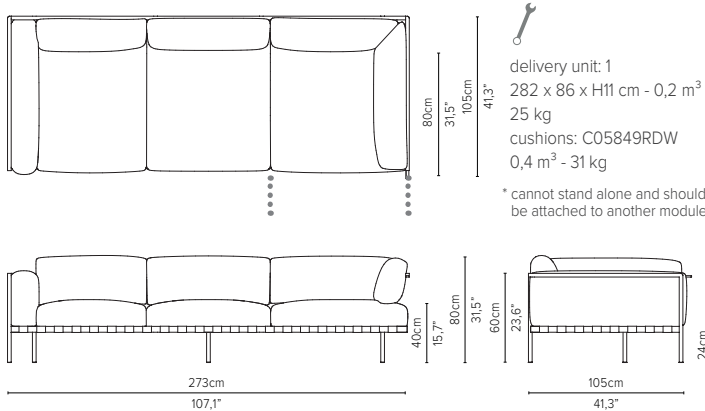
NATAL ALU SOFA

TECHNICAL DRAWINGS

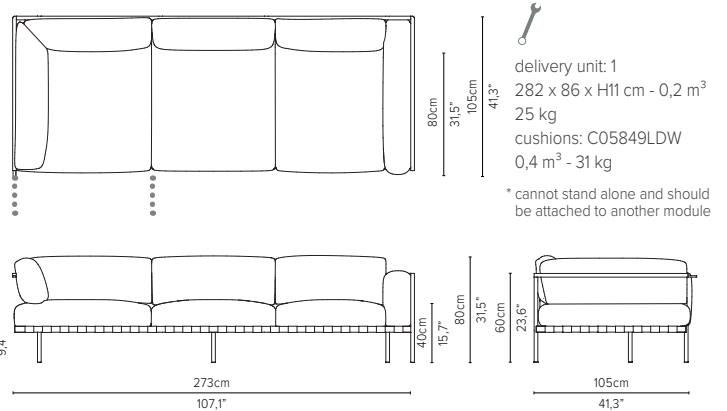
DEEP SEAT

TOTAL DEPTH 105 CM / 41,3"

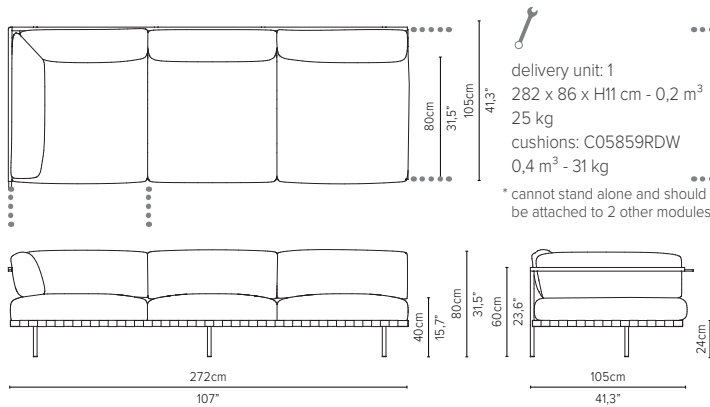
05849RD-x - Right arm corner module 273 cm*



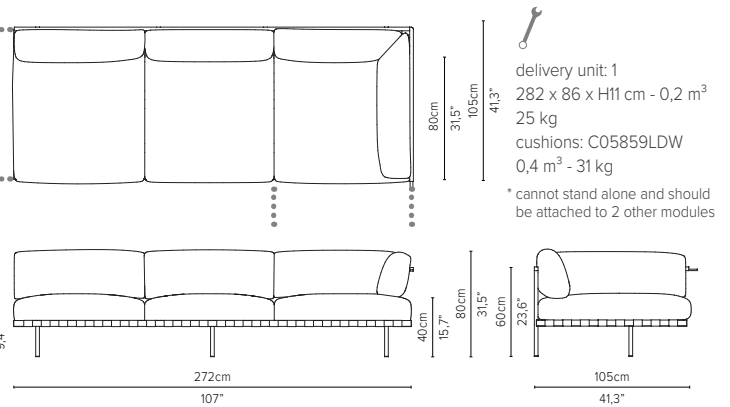
05849LD-x - Left arm corner module 273 cm*



05859RD-x - Right corner extension 273 cm*



05859LD-x - Left corner extension 273 cm*



* Appearances, measurements and weights may slightly differ from reality.
The cushions on the drawings are not included in the article.

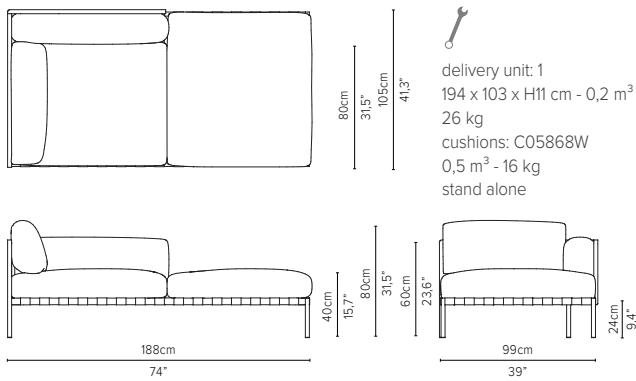
NATAL ALU SOFA

TECHNICAL DRAWINGS

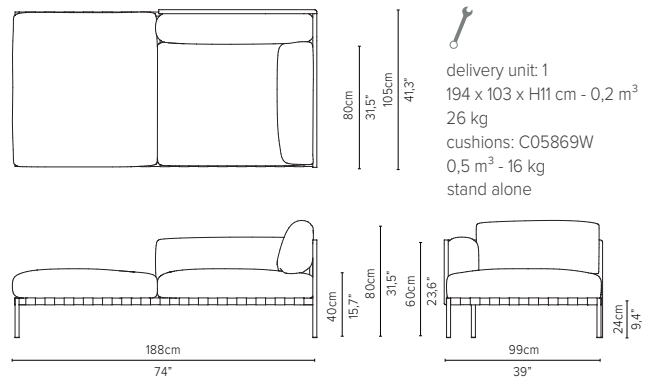
MERIDIENNES

TOTAL DEPTH 188 CM / 74"

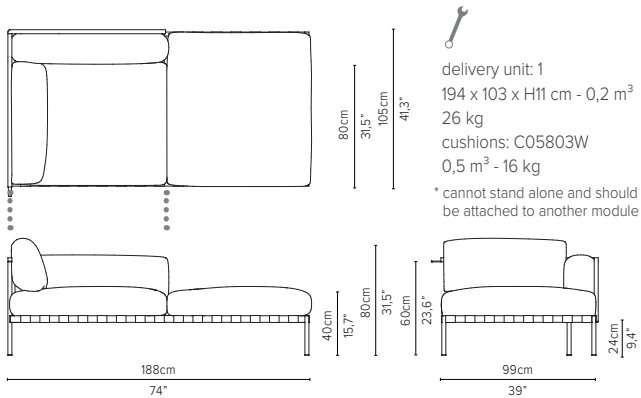
05868 - Meridienne left stand alone 188 cm



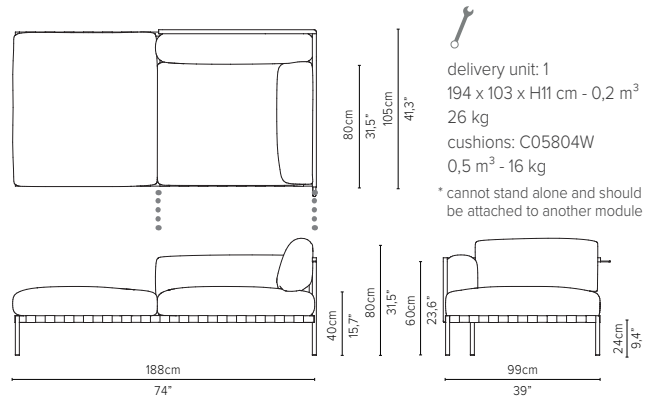
05869 - Meridienne right stand alone 188 cm




05803 - Meridienne left modular 188 cm*



05804 - Meridienne right modular 188 cm*



058C - X Connector

 A connector is needed to connect two modules lengthwise

* Appearances, measurements and weights may slightly differ from reality.
The cushions on the drawings are not included in the article.

NATAL ALU SOFA

PROTECTION COVERS

For each item a cover is available that protects the furniture against dirt. These covers in grey colour are made of PU coated polyester which is water-repellent and UV-resistant. Thanks to their excellent breathable qualities the covers reduce condensation and heat build-up, helping to prevent the formation of mold and mildew. Always make sure that furniture, cushions and covers are completely dry before covering furniture.

MAINTENANCE

Frame

Clean the aluminium frame with tap water and a PH neutral soap. For stubborn stains, use Aluminium Cleaner. We advise to use Metal Protector twice a year which applies an invisible film and protects the aluminium against the adhesion of dirt.



D9952
Aluminium
Cleaner



D9930
Metal Protector Teflon®
(spray that lays an invisible dirt-repellent film)

Textilene straps

The straps can be cleaned with Synthetics Super Cleaner. Apply with a soft brush. Leave to soak for a while and rinse with a garden hose.



D9922
Synthetics
Super Cleaner

NATAL ALU SOFA

PROJECT REFERENCES



Catamaran Lagoon Seventy 7



Louis Vuitton Rodeo Drive, LA